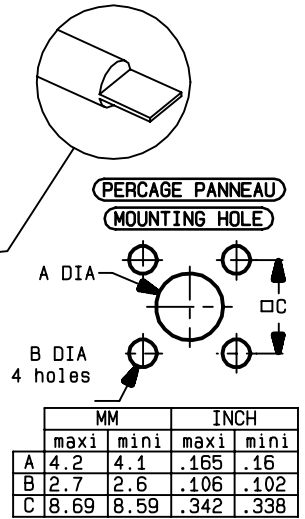
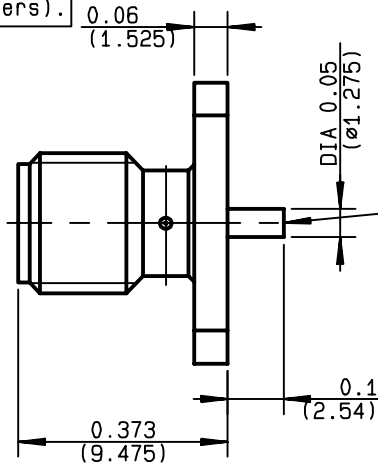
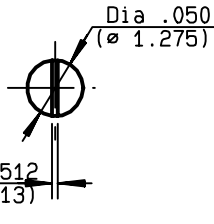
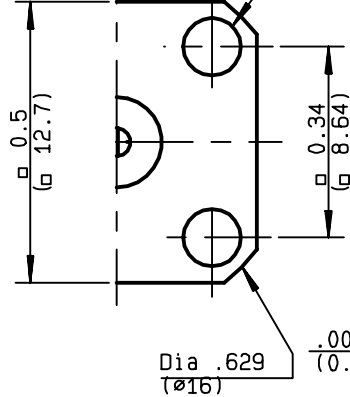


**SQUARE FLANGE JACK RECEPTACLE
WITH TAB CONTACT**

R124.510.003
SERIES SMA-COM

4 Creves pour immobilisation du contact-central
(4 idents for center-contact captivation).
(4-Punkt-Crimping zur Fixierung des innenleiters).

4 holes Dia .102
(4 Trous ø 2.6)



NOMINAL IMPEDANCE	50	Ω
FREQUENCY RANGE	0-18	GHz
TEMPERATURE RATING	-65/+165	°C
V.S.W.R	1.04 + .0056 x F(GHz)Maxi	
RF INSERTION LOSS	0.05 √F(GHz) dB Maxi	
VOLTAGE RATING	500	Veff Maxi
DIELECTRIC WITHSTANDING VOLTAGE	1000	Veff Mini
INSULATION RESISTANCE	5000	MΩMini
HERMETIC SEAL	NA	Atm.cm ³ /s
LEAKAGE (pressurized only)	NA	
MECHANICAL DURABILITY	100	Cycles
WEIGHT	2.51	gr
SPECIFICATION		

CABLES :

OTHERS CHARACTERISTICS

cc2.53-is0-car12.7-cr

CABLE RETENTION	NA	N Mini
CENTER CONTACT RETENTION		
Axial force - mating end	27	N Mini
Axial force - opposite end	27	N Mini
Torque	2.8	cm.N Mini
RECOMMENDED TORQUES		
Mating	NA	cm.N
Panel nut	NA	cm.N
Clamp nut	NA	cm.N

CONNECTOR PARTS MATERIALS

FINISH (all values are given in micrometers)

BODY	BRASS	GOLD 0.2 OVER NICKEL 2
OUTER CONTACT		
CENTER CONTACT	BERYLLIUM COPPER	GOLD 1.3 OVER COPPER 2.5
INSULATOR	PTFE	-
GASKET		-
OTHERS PIECES		

TRIQUES

ISSUE	CREATION DATE	FILE PART-NUMBER
9918A00	06/01/1997	97-1200-002



RADIALL®

The information given here is subject to change without notice.
Design changes may be in order to improve the product .

Connect to the future